

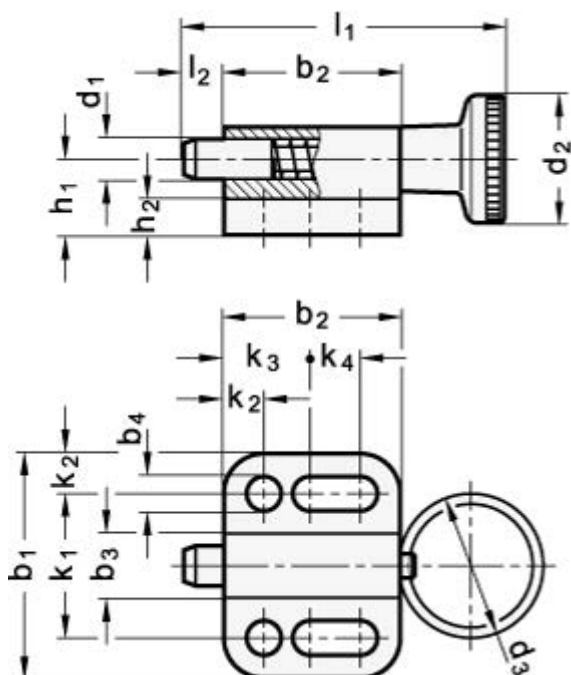
# Data Sheet



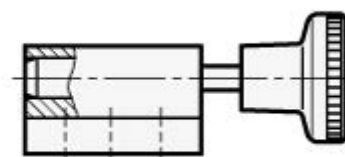
Article number: 2041710A

Description: E+G Indexing plunger GN 417-10-A

## Measures



Plunger pin retracted



b1 = 39	k1	= 27
b2 = 35	k2	= 6
b3 = 15.5	k3	= 15
b4 = 6.5	k4	= 13.5
d1 = 10	l2	= 10
d3 = 30	Springload in N bottom	= 25
h1 = 14.5	Springload in N top	= 4
h2 = 6	Weight in (g)	= 83